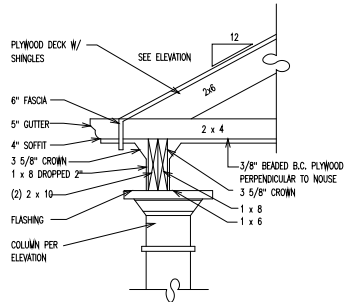
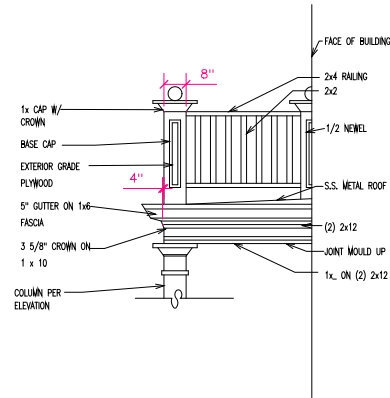


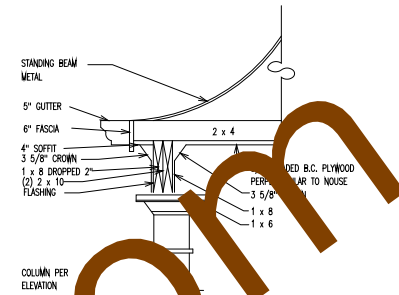
1 SIDE OF PORCH ROOF  
D4 SCALE: 3/4"=1'-0"



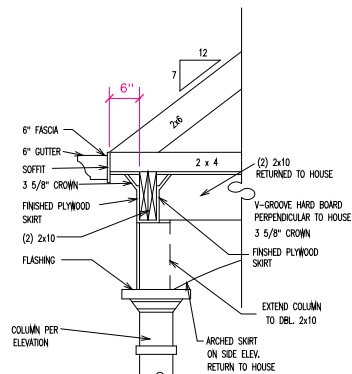
2 PORCH ROOF SECTION  
D4 SCALE: 3/4"=1'-0"



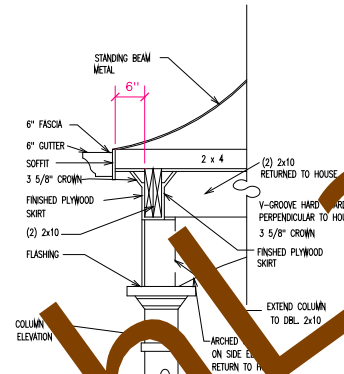
3 PORCH SIDE ELEVATION  
D4 SCALE: 3/8"=1'-0"



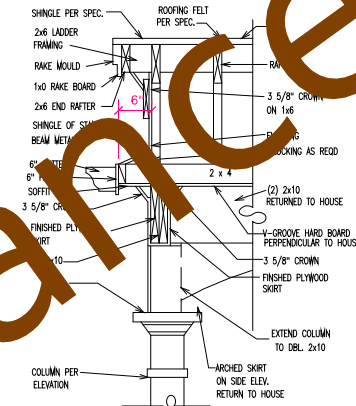
4 PORCH ROOF SECTION  
D4 SCALE: 3/4"=1'-0"



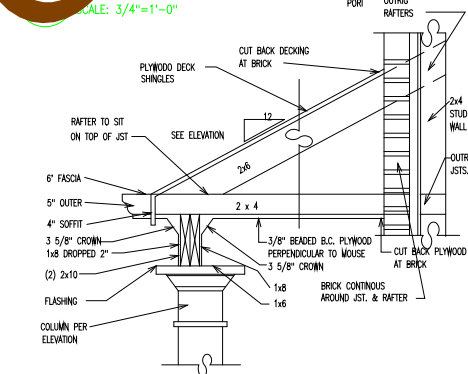
5 PORCH ROOF DETAIL  
D4 SCALE: 3/4"=1'-0"



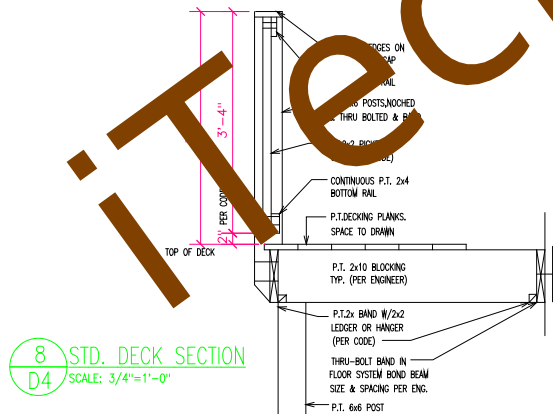
6 PORCH ROOF DETAIL  
D4 SCALE: 3/4"=1'-0"



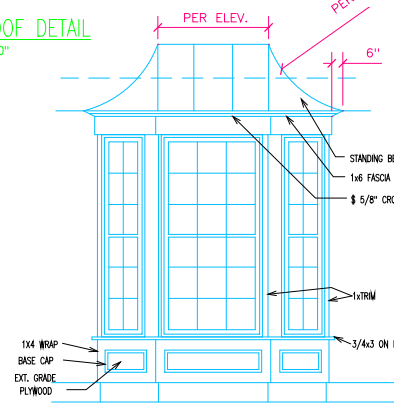
7 PORCH ROOF DETAIL  
D4 SCALE: 3/4"=1'-0"



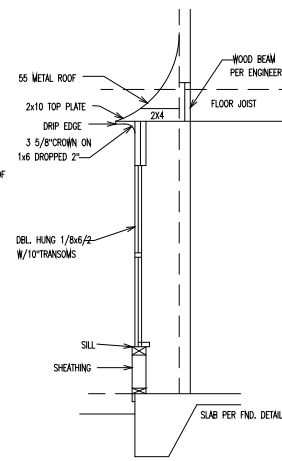
10 PORCH ROOF SECTION @ BRICK  
D4 SCALE: 3/4"=1'-0"



8 STD. DECK SECTION  
D4 SCALE: 3/4"=1'-0"



9 BAY WINDOW  
D4 SCALE: 3/8"=1'-0"



10 PORCH ROOF SECTION @ BRICK  
D4 SCALE: 3/4"=1'-0"