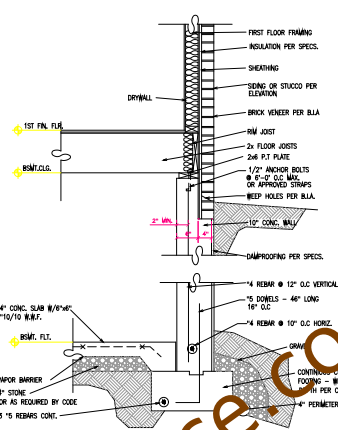
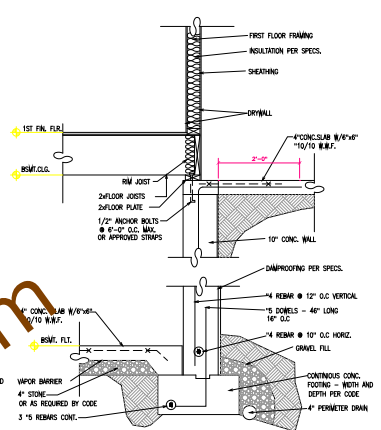


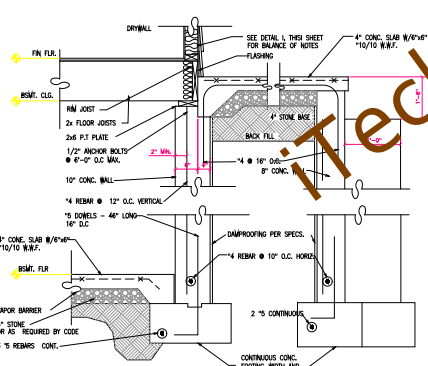
1 FOUNDATION SECTION
D-2 SCALE: 3/4"=1'-0"



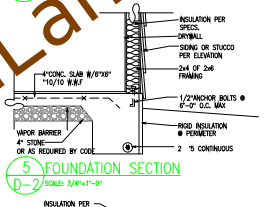
2 FOUNDATION SECTION
W/ BRICK VENEER
D-2 SCALE: 3/4"=1'-0"



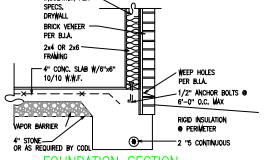
3 FOUNDATION SECTION
@GARAGE
D-2 SCALE: 3/4"=1'-0"



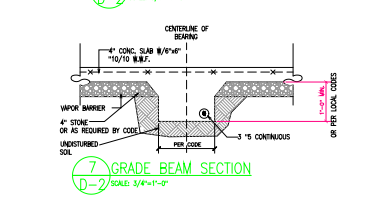
4 PORCH FOUNDATION
D-2 SCALE: 3/4"=1'-0"



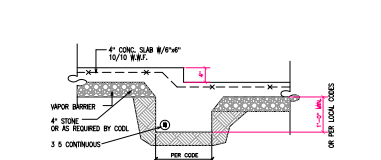
5 FOUNDATION SECTION
D-2 SCALE: 3/4"=1'-0"



6 FOUNDATION SECTION
W/ BRICK VENEER
D-2 SCALE: 3/4"=1'-0"



7 GRADE BEAM SECTION
D-2 SCALE: 3/4"=1'-0"



8 STEPPED SLAB SECTION
D-2 SCALE: 3/4"=1'-0"